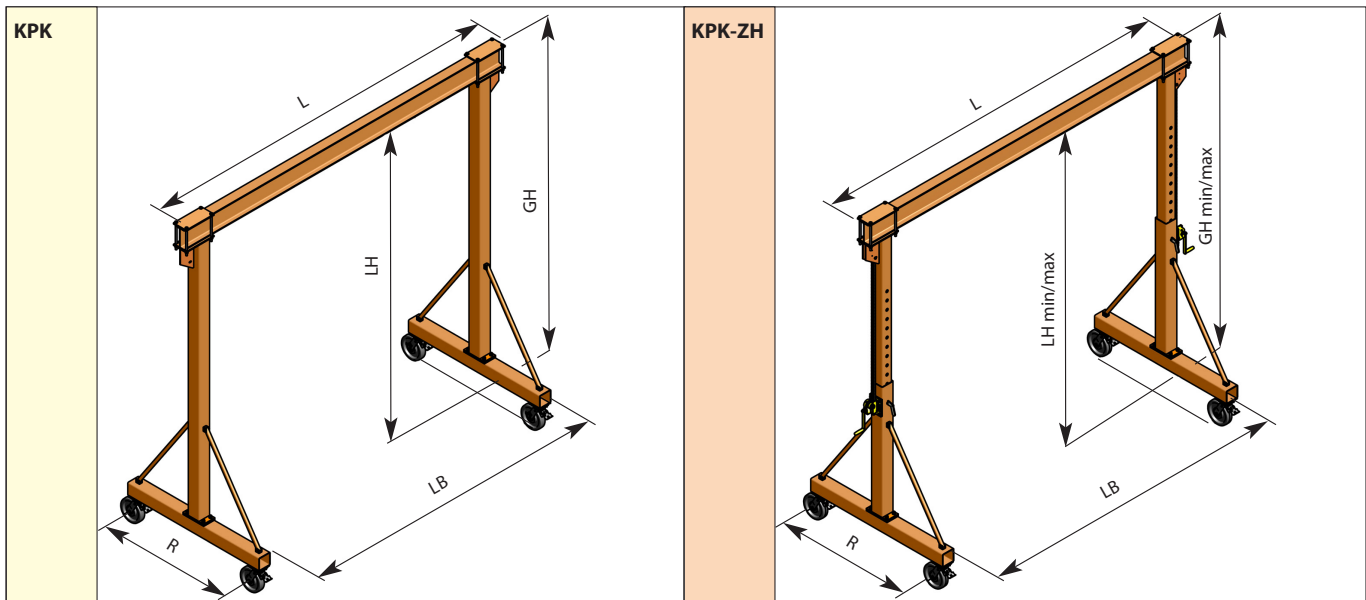




KPK-ZH-EZE-0.25-3.7
with height adjustment
Carrying capacity 250 kg
Beam length 3.000 mm
Total height min/max
2,650/3,950 mm
Electric chain hoist and
electric power supply

- ❑ **Versatile indoor and outdoor use**
- ❑ **Simple and fast erection via all screw connection**
- ❑ **Stepless width adjustment, height adjustment on request**
- ❑ **Construction according to EN 13001 / EN 1090**



The Portable Gantry Crane **KPK** is suitable for the operation of a manual or electric hoist indoors and outdoors. It is well movable on even, solid ground. The clear width LB can be steplessly adjusted via the clamping connection between supports and beam. The crane is easily mountable and dismantlable. Both undercarriages are equipped with steering wheels with 4-fold directional stop, two wheels additionally have a wheel stop. Up to a carrying capacity of 1 tonne: wheel-Ø 200 mm with vulkollan coating. Over a carrying capacity of 1 tonne : wheel-Ø 250 mm with polyamide coating. Coat of varnish: orange, RAL 2000.

The Portable Gantry Crane **KPK-ZH** can be adjusted in height via two rack jack winches in an unloaded condition. Extent of supply for cranes: crane, crane test book with preliminary and construction test, operating instructions. Hoist is not included.

Order No.	Model	Carrying Capacity kg	Beam Length L * approx. mm	Beam Section PE	Total Height GH * approx. mm	Clear Height LH approx. mm	Clear Width LB approx. mm	Wheel Base R approx. mm	Weight approx. kg
515 020	KPK-0.5-2.5	500	3550	140	2662	2500	3000	1500	200
515 030	KPK-0.5-3.0	500	3550	140	3162	3000	3000	1500	210
515 032	KPK-0.5-3.5	500	4550	160	3682	3500	4000	2000	260
515 035	KPK-1.0-2.5	1,000	3550	180	2702	2500	3000	1500	225
515 045	KPK-1.0-3.0	1,000	3550	180	3202	3000	3000	1500	235
515 047	KPK-1.0-3.5	1,000	4550	200	3722	3500	4000	2000	290
515 050	KPK-2.0-3.0	2,000	3650	220	3242	3000	3000	1500	390
515 055	KPK-2.0-3.5	2,000	3650	220	3742	3500	3000	2000	410
515 060	KPK-2.0-4.0	2,000	4650	240	4262	4000	4000	2000	510
515 065	KPK-3.2-3.0	3,200	3650	270	3292	3000	3000	1500	440
515 070	KPK-3.2-3.5	3,200	3650	270	3792	3500	3000	2000	550
515 075	KPK-3.2-4.0	3,200	4650	300	4322	4000	4000	2000	600

Accessories: electric / manual hoist, electric power supply for trailing cable, . . . on request.

Special designs: Modification of height, width, height adjustment with / without rack jack winches, different wheels, stabilizing spindle, . . . on request.

* maximally possible scale: L = 6,000 mm / GH = 5,100 mm

Details

