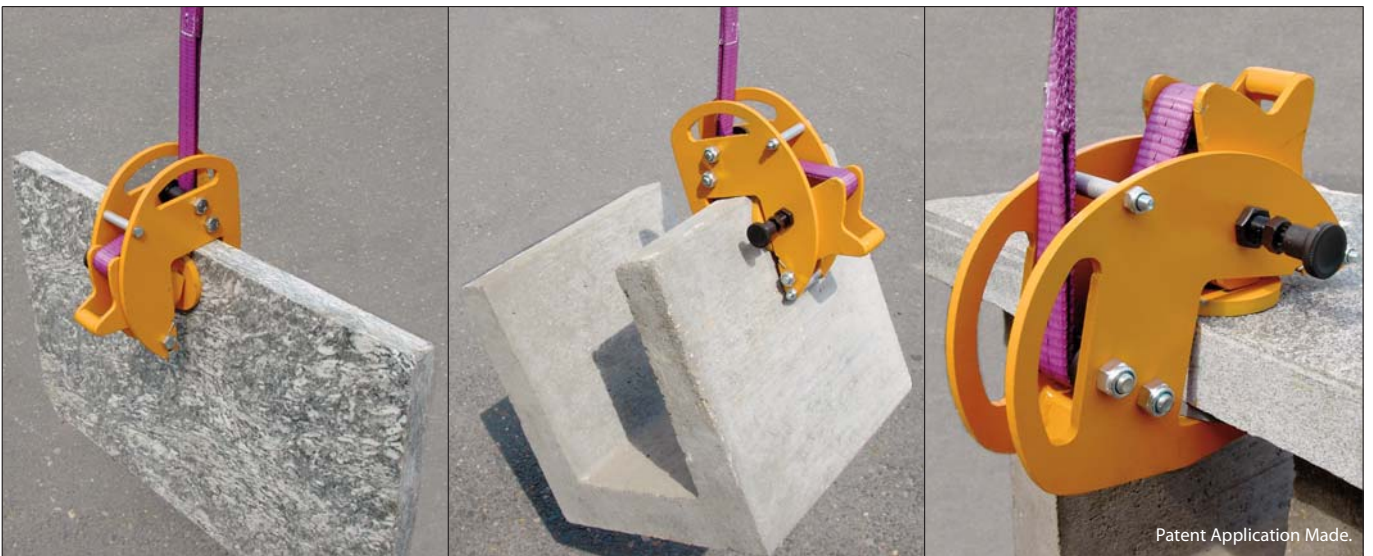
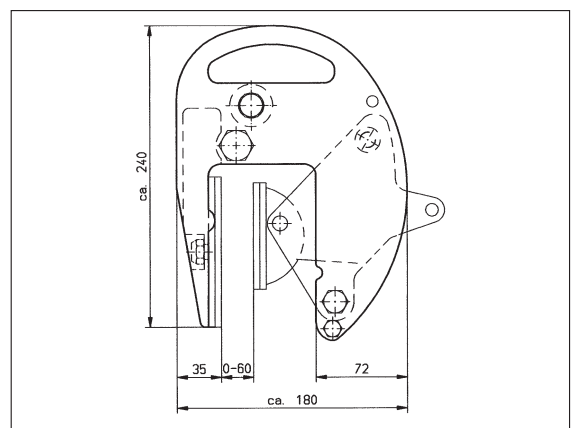


FLAT CLAMP



The clamp with the huge multiplication of 5:1 for the safe transport of plates.

- ❑ **Great safety** due to huge multiplication of 5:1.
- ❑ **Web sling** instead of chain/rope: low weight, no twisting, no injuries.
- ❑ The **narrow jaw** enables the putting down of upright plates or the erection of plates. Even tightly positioned upright plates can be gripped.
- ❑ No damage to the plate surface due to **rubber coating**.
- ❑ **Spring tension** prevents an inadvertent slipping down of the clamp.
- ❑ **Easy handling** by compact and convenient construction.
- ❑ Suitable for nearly **all materials**.



Order No.	Model	Carrying Capacity	Clamping Range	Weight
300 100	FZ 0,8	800 kg	0 - 60 mm	8 kg